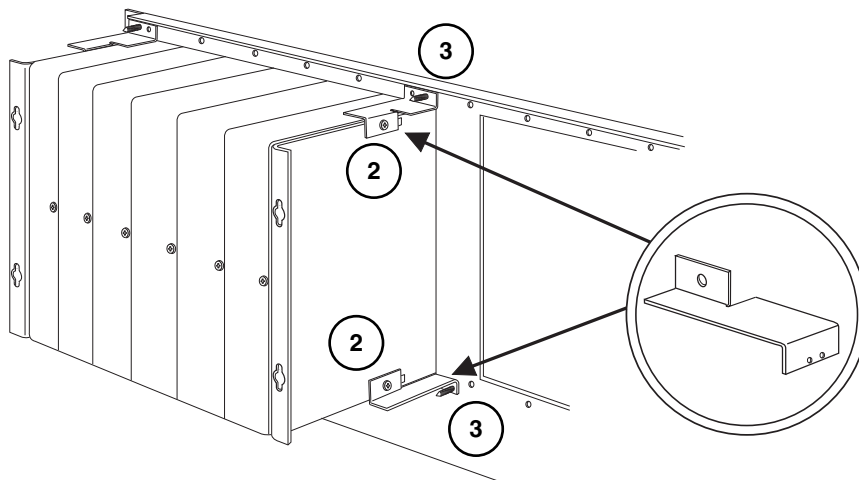
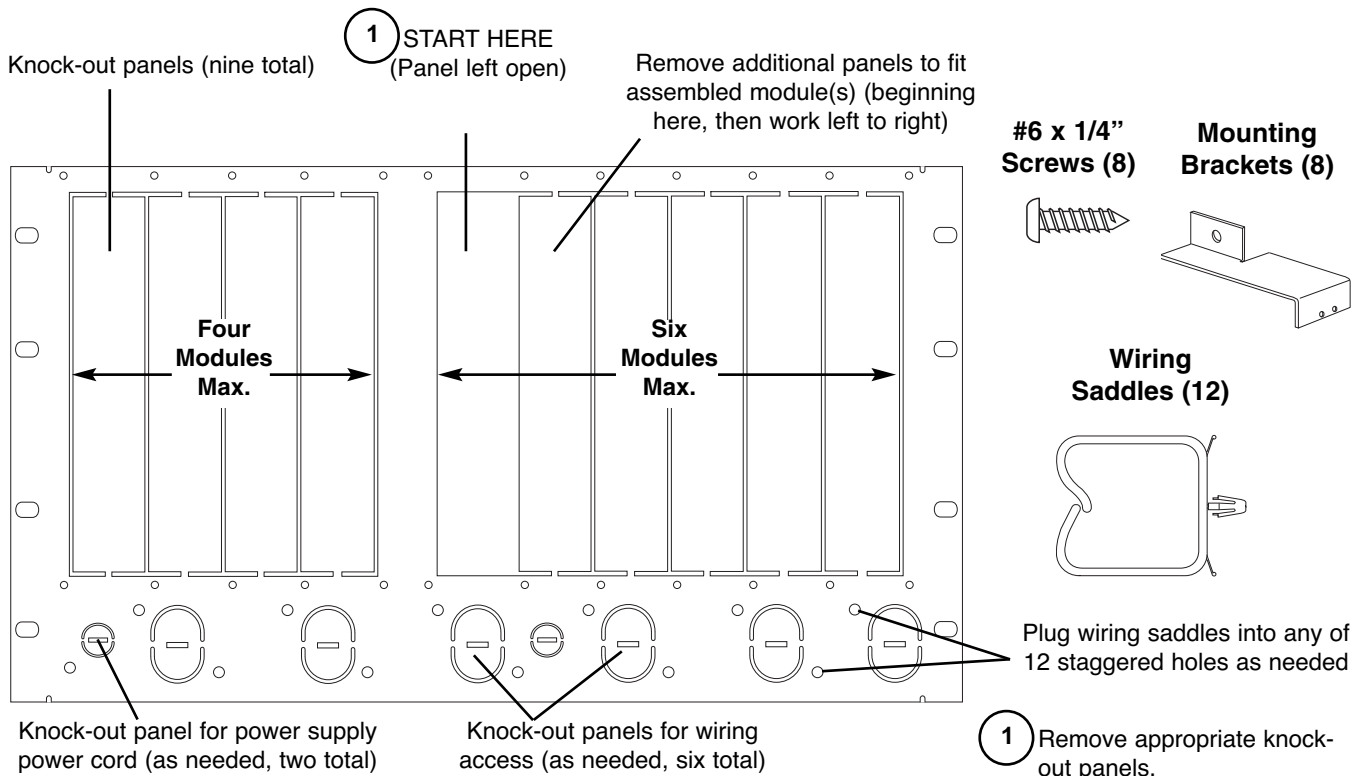


RPK88 Rack Mount Kit

Installation and Use Manual

The RPK88 Rack Mount Kit is designed to flush mount the modules of a PCM system. The RPK88 will hold up to ten modules in two assemblies. The RPK88 allows easy mounting of these modules in a standard 19-inch audio rack (the RPK88 is six rack spaces high). The kit includes twelve wiring saddles, eight mounting brackets, and eight #6 x 1/4" screws.

RPK88 Mounting Plate



- 1 Remove appropriate knock-out panels.
- 2 Attach mounting brackets to top and bottom corners of module assembly. Use screws included with modules.
- 3 Attach module assembly to RPK88 using #6 x 1/4" screws.

See PCM system instructions for module assembly.

