

# ConnEx Category 6 UTP Jack Modules



Category 6/Class 8-position keystone UTP jack module shall terminate unshielded twisted 4-pair, 22-26 AWG, 100 ohm cable.

Optional tool ensures conductors are fully terminated.

Universal label shall be color-coded to T568A and T568B wiring schemes.



**NTL-108K6-110BK - Black**  
**NTL-108K6-110BL - Blue**  
**NTL-108K6-110GN - Green**  
**NTL-108K6-110RD - Red**  
**NTL-108K6-110OR - Orange**  
**NTL-108K6-110YL - Yellow**  
**NTL-108K6-110WH - White**

## technical information

<b>Category 6/Class channel performance:</b>	Meets all ANSI/TIA-568.C2 Category 6 and ISO 11801 2nd Edition Class E channel standard requirements at swept frequencies up to 250 MHz
<b>FCC compliance:</b>	Meets ANSI/TIA-1096-A; contacts plated with 50 microinches of gold for superior performance
<b>IEC compliance:</b>	Meets IEC 60603-7
<b>PoE compliance:</b>	Meets requirements of IEEE 802.3af and IEEE 802.3at for PoE applications
<b>UL rated:</b>	UL 1863 approved
<b>RoHS compliance:</b>	Compliant

## key features and benefits

<b>100% performance tested</b>	Confidence that each jack module delivers specified performance
<b>Termination cap</b>	Provides strain relief, helps control cable end radius and securely retains wires in place
<b>Does not require punchdown tool</b>	Can terminate with optional termination tool
<b>Modular</b>	Universal keystone jack modules snap in and out of all ConnEX Faceplates, Modular Patch Panels, and Surface Mount Boxes for fast moves, adds, and changes
<b>Individually serialized</b>	Marked with quality control number for future traceability

## applications

Applications include:

- Ethernet 10BASE-T, 100BASE-T (Fast Ethernet), and 1000BASE-T (Gigabit Ethernet)
- 155 Mb/s ATM, 622 Mb/s ATM, 1.2 Gb/s ATM
- Token Ring 4/16
- Voice over internet protocol (VoIP)

**ConnEx Network Components**

**ConnEx Category 6 UTP Jack Modules**

**Module: NTL-108K6-110xx**

**ConnEx Category 6 UTP Patch Cords**

**Foot Lengths: NTL-CT6-\*\*B-xx**

**ConnEx Category 6 UTP Molded Modular Patch Panels**

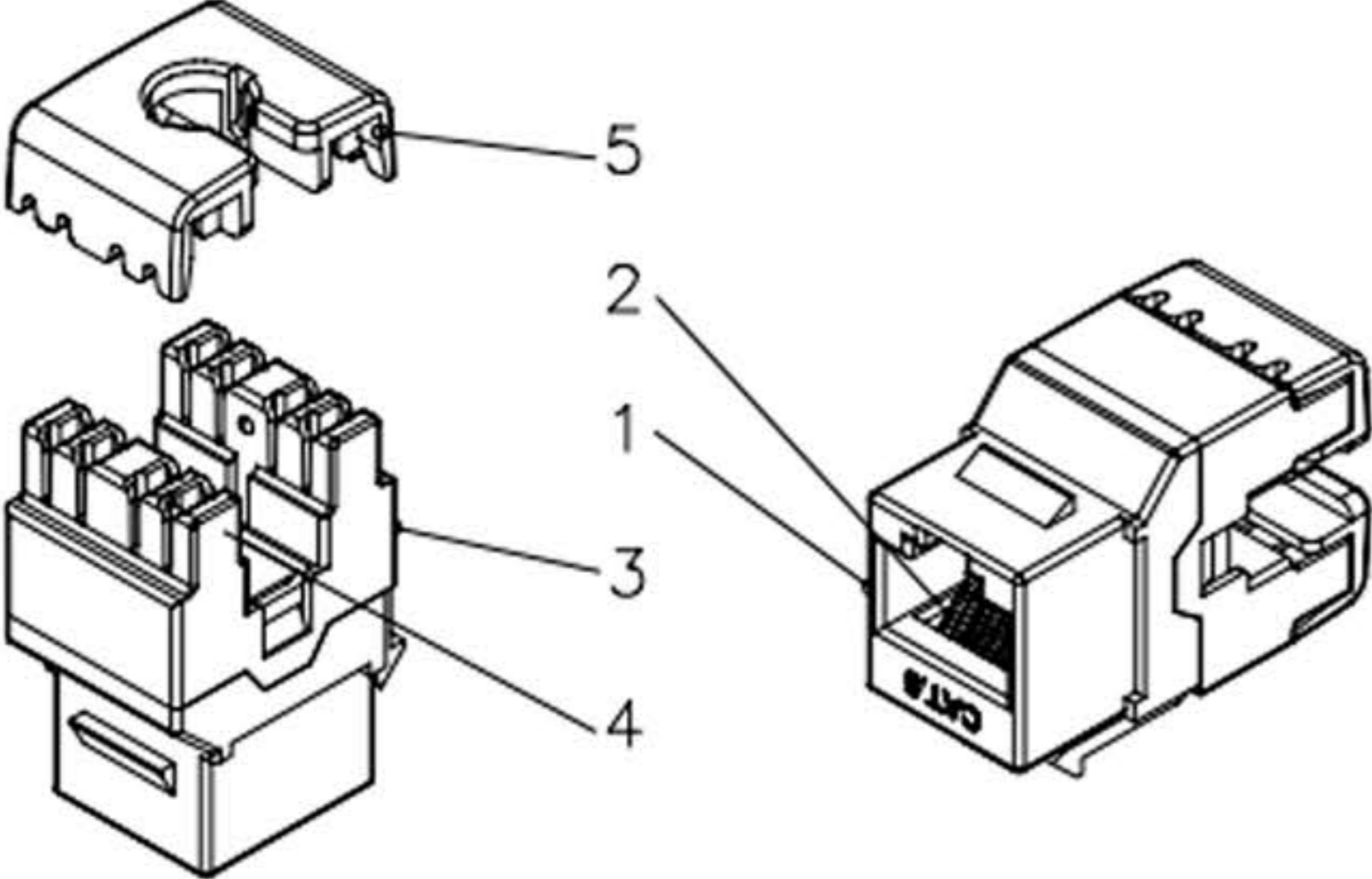
**24-port, 1 RU: NTL-PP24-HD**

**48-port, 2 RU: NTL-PP48-HD**

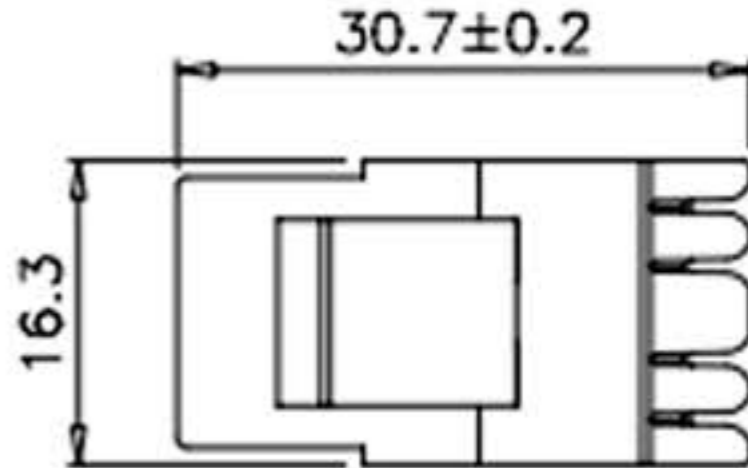
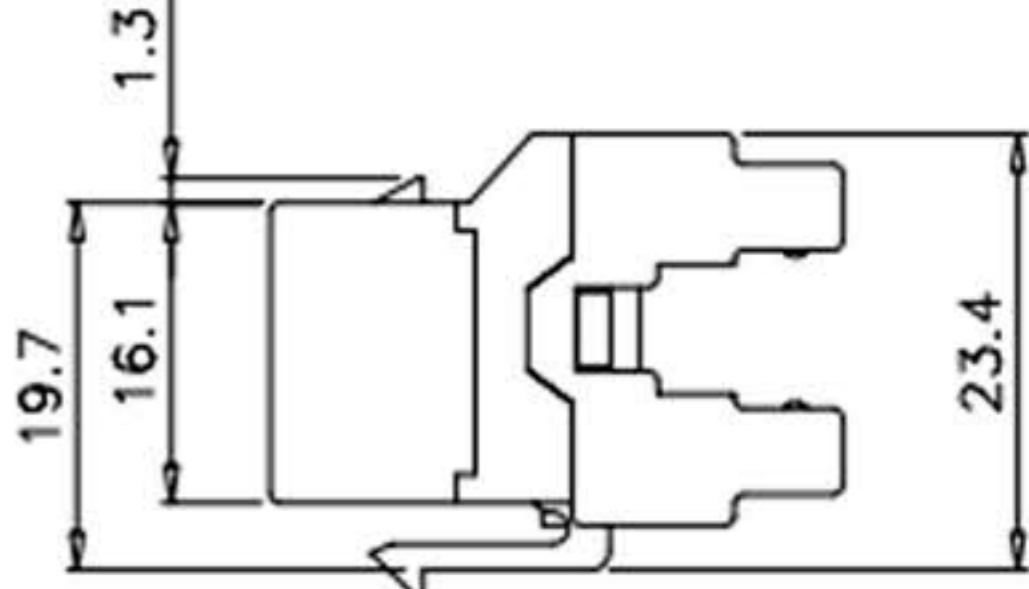
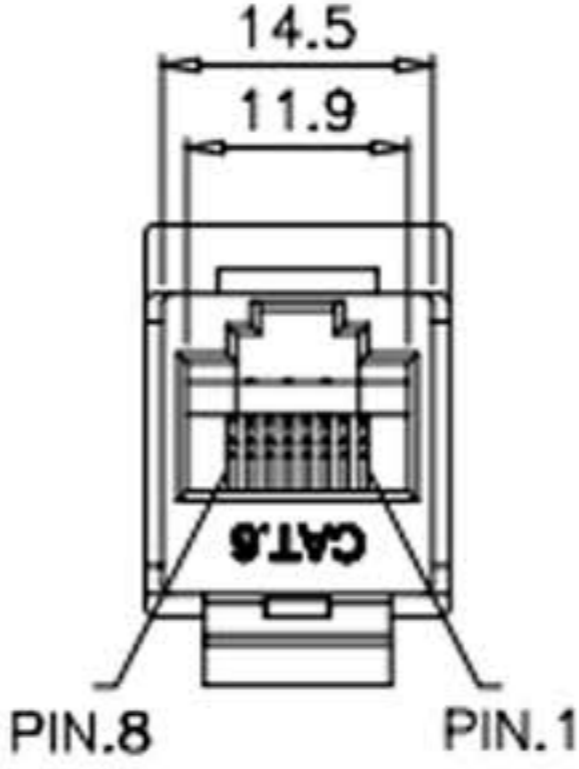
**Termination and Cable Prep Tools (optional)**

**NTL-CONNEX-TOOL**

# ConnEx Category 6 UTP Jack Modules



SCALE 1/1



**NTL-108K6-110x**