

IK-6288TH-MH/P PoE Kit

Key Feature

- One pack contains everything required for small monitoring scenarios
- One 8-channel PoE NVR with decoding up to 4-ch@1080p
- Six 4K fixed turret network cameras with efficient H.265 compression technology
- 7 network cables
- 2 TB pre-installed HDD



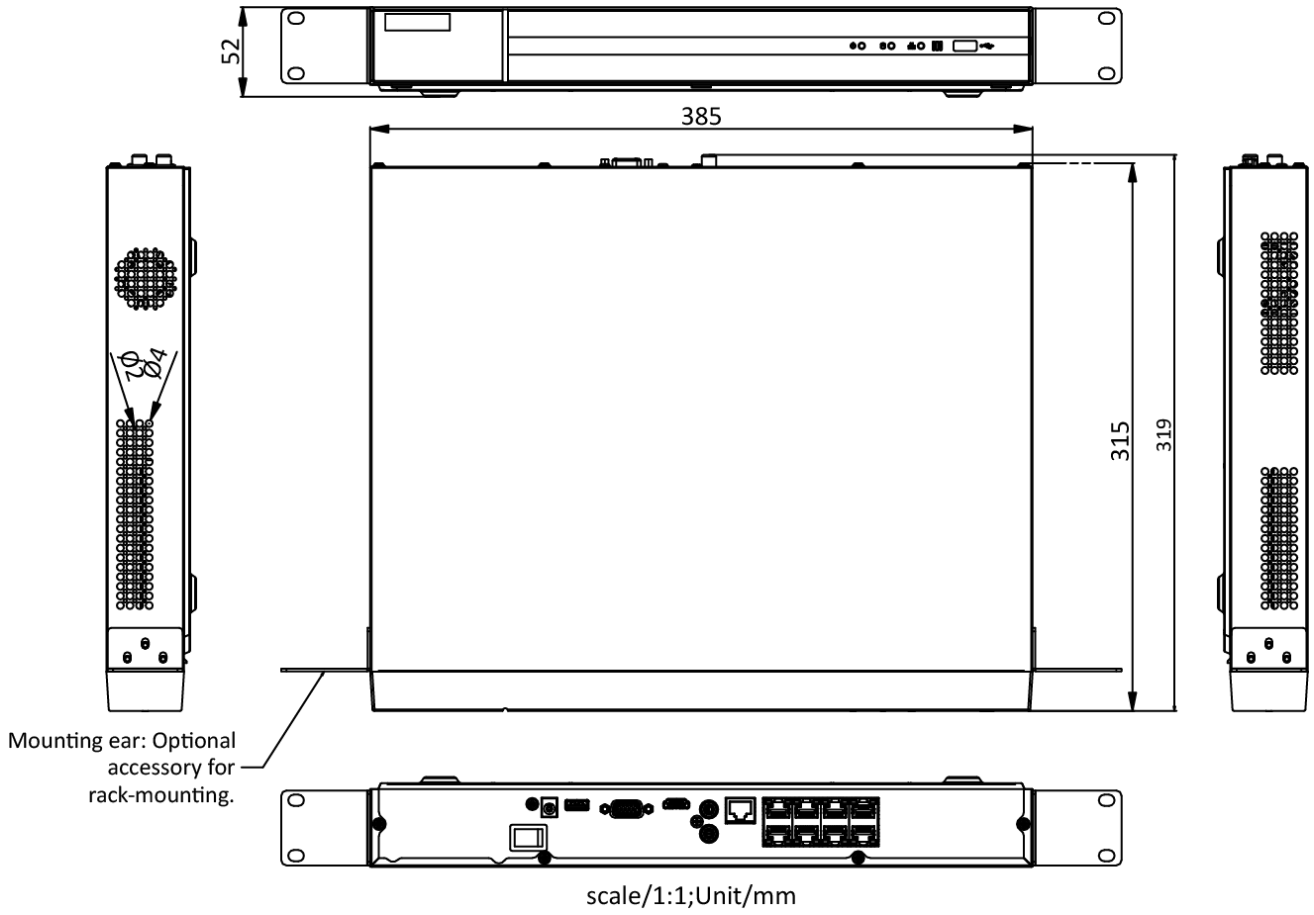
Specification

Kit Model	IK-6288TH-MH/P
Camera Model	IPC-T280H (2.8mm)
NVR Model	NVR-208MH-C/8P
Camera	
Image Sensor	1/2.8" Progressive Scan CMOS
Max. Resolution	3840 × 2160
Min. Illumination	Color: 0.01 Lux @(F2.0, AGC ON), B/W: 0 Lux with IR
Shutter Time	1/3 s to 1/100,000 s
Day & Night	IR cut filter
Angle Adjustment	Pan: 0° to 360°, tilt: 0° to 75°, rotate: 0° to 360°
Lens	
Lens Type	Fixed focal lens, 2.8
Focal Length & FOV	2.8 mm, horizontal FOV 108°, vertical FOV 60°, diagonal FOV 127°
Lens Mount	M12
Iris Type	Fixed
Aperture	F2.0
DORI	
DORI	D: 81 m, O: 32 m, R: 16 m, I: 8 m
Illuminator	
Supplement Light Type	IR
Supplement Light Range	Up to 30 m
Smart Supplement Light	Yes
IR Wavelength	850 nm
Video	
Main Stream	50 Hz: 12.5 fps (3840 × 2160), 20 fps (2592 × 1944), 25 fps (2688 × 1520, 1920 × 1080, 1280 × 720) 60 Hz: 15 fps (3840 × 2160), 20 fps (2592 × 1944), 30 fps (2688 × 1520, 1920 × 1080, 1280 × 720)
Sub-Stream	50 Hz: 25 fps (1280 × 720, 640 × 480, 640 × 360) 60 Hz: 30 fps (1280 × 720, 640 × 480, 640 × 360)
Video Compression	Main stream: H.265+/H.265/H.264+/H.264 Sub-stream: H.265/H.264/MJPEG
Video Bit Rate	32 Kbps to 16 Mbps
H.264 Type	Baseline Profile/Main Profile/High Profile
H.265 Type	Main Profile
Bit Rate Control	CBR/VBR
Region of Interest (ROI)	1 fixed region for main stream
Network	
Security	Password protection, complicated password, HTTPS encryption, 802.1X authentication (EAP-MD5), watermark, IP address filter, basic and digest authentication for HTTP/HTTPS, WSSE and digest authentication for Open Network Video Interface, RTP/RTSP over HTTPS, security audit log, TLS 1.2, host authentication (MAC address)
Simultaneous Live View	Up to 6 channels

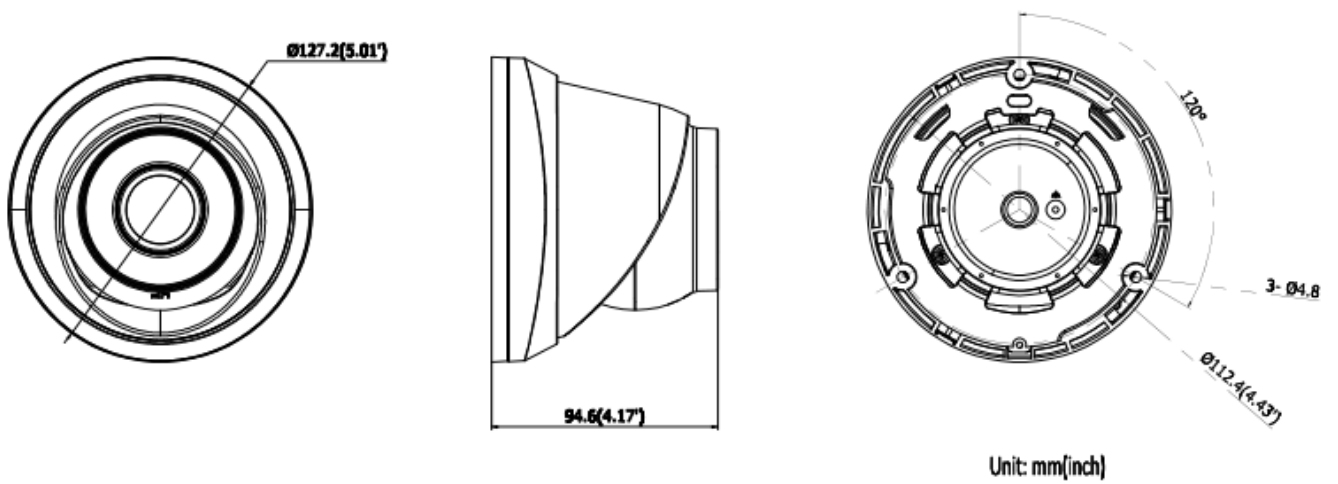
API	Open Network Video Interface (Profile S), ISAPI, SDK
Protocols	TCP/IP, ICMP, DHCP, DNS, DDNS, HTTP, HTTPS, RTP, RTSP, NTP, UPnP, IGMP, IPv6, UDP, QoS, Bonjour, FTP, 802.1x, SMTP
User/Host	Up to 32 users 3 levels: Administrator, Operator and User
Client	iVMS-4200, HiLookVision
Web Browser	Plug-in required live view: IE 10, IE 11 Local service: Chrome 57.0+, Firefox 52.0+
Image	
Wide Dynamic Range (WDR)	120 dB
SNR	≥ 52 dB
Day/Night Switch	Day, Night, Auto, Schedule
Image Enhancement	BLC, HLC, 3D DNR
Image Settings	Mirror, rotate, saturation, brightness, contrast, sharpness, gain, white balance adjustable by client software or web browser
Privacy Mask	4 regions of privacy mask
Interface	
Ethernet Interface	1 RJ45 10 M/100 M self-adaptive Ethernet port
Event	
Basic Event	Motion detection, video tampering alarm, exception
Linkage	Notify surveillance center, trigger capture
General	
Power	12 VDC ± 25%, 0.4 A, max. 5 W, Ø5.5 mm coaxial power plug PoE: 802.3af, Class 3, 36 V to 57 V, 0.2 A to 0.15 A, max. 6.5 W
Material	Metal & Plastic
Dimension	Ø110 mm × 95.2 mm (Ø4.3" × 3.8")
Package Dimension	150 mm × 150 mm × 141 mm (5.9" × 5.9" × 5.6")
Weight	Approx. 320 g (0.7 lb.)
With Package Weight	Approx. 530 g (1.2 lb.)
Storage Conditions	-30 °C to 60 °C (-22 °F to 140 °F). Humidity 95% or less (non-condensing)
Startup and Operating Conditions	-30 °C to 60 °C (-22 °F to 140 °F). Humidity 95% or less (non-condensing)
Language	English, Ukrainian
General Function	Anti-flicker, heartbeat, password protection, password reset via email
Approval	
EMC	FCC SDoC (47 CFR Part 15, Subpart B); CE-EMC (EN 55032: 2015, EN 61000-3-2:2019, EN 61000-3-3:2013+A1:2019, EN 50130-4: 2011+A1: 2014); RCM (AS/NZS CISPR 32: 2015)
Safety	CB (IEC 62368-1:2014+A11); CE-LVD (EN 62368-1:2014/A11:2017)
Environment	CE-RoHS (2011/65/EU); WEEE (2012/19/EU); Reach (Regulation (EC) No 1907/2006)
Protection	IP67 (IEC 60529-2013)

NVR	
Video and Audio	
IP Video Input	8-ch
	Up to 8 MP resolution
Incoming/Outgoing Bandwidth	80 Mbps/80 Mbps
HDMI Output	1-ch, 4K (4096 x 2160)/30 Hz, 4K (3840 x 2160)/30 Hz, 2K (2560 x 1440)/60 Hz, 1920 x 1080/60 Hz, 1600 x 1200/60 Hz, 1280 x 1024/60 Hz, 1280 x 720/60 Hz
VGA Output	1-ch, 1920 x 1080/60 Hz, 1280 x 1024/60 Hz, 1280 x 720/60 Hz
Decoding	
Decoding Format	H.265+/H.265/H.264+/H.264
Video Resolution	8 MP/6 MP/5 MP/4 MP/3 MP/1080p/UXGA/720p/VGA /4CIF/DCIF/2CIF/CIF/QCIF
Synchronous Playback	8-ch
Capability	2-ch@8 MP (15 fps)/5-ch@1080p (30 fps)
Network	
Remote Connection	64
Network Protocol	TCP/IP, DHCP, IPv4, IPv6, DNS, DDNS, NTP, RTSP, SADP, SMTP, SNMP, NFS, iSCSI, ISUP, UPnP™, HTTP, HTTPS
Network Interface	1, RJ-45 10/100 Mbps self-adaptive Ethernet interface
PoE	
Interface	8, RJ-45 10/100 Mbps self-adaptive Ethernet interface
Power	≤ 80W
Standard	IEEE 802.3 af/at
Auxiliary interface	
SATA	2 SATA interfaces
Capacity	Up to 8 TB capacity for each disk
USB Interface	Front panel: 1 x USB 2.0 ; Rear panel: 1 x USB 2.0
General	
Power Supply	48 VDC, 2.5 A
Consumption (without HDD and PoE off)	≤ 15 W
Working Temperature	-10 °C to 55 °C (14 °F to 131 °F)
Working Humidity	10% to 90%
Dimension (W x D x H)	385 x 315 x 52 mm (15.2" x 12.4" x 2.0")
Weight (without hard disk)	≤ 2.6 kg (5.7 lb)
Kit	
Accessories	Network cable: 6 x 18 m (59.1 ft) video and power cable 1 x 1 m (3.3 ft) video and power cable
Hard Drive	Pre-installed 2 TB HDD
Certification	FCC, CE, IC
Weight (with package)	≤ 6.5 kg (14.3 lb)

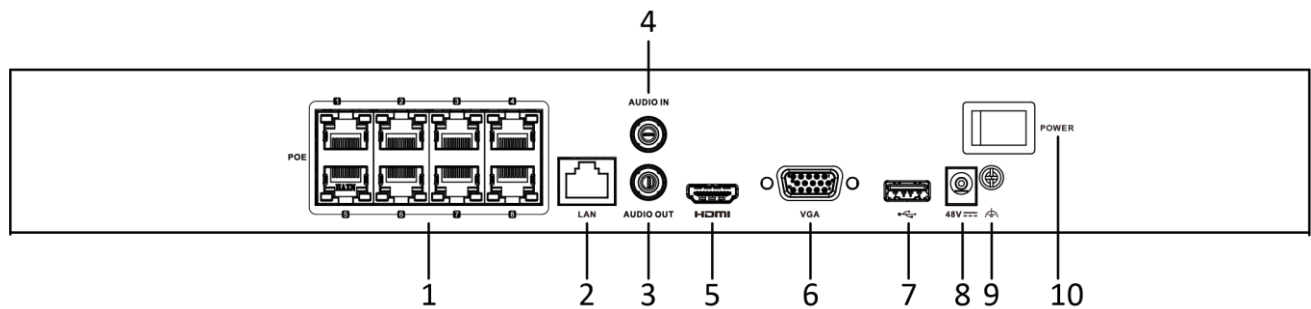
NVR Dimension



Camera Dimension



Physical Interface



No.	Description	No.	Description
1	PoE Interfaces	6	VGA Output (DB9 Connector)
2	LAN Interface	7	USB Interface
3	AUDIO OUT	8	Power Supply
4	AUDIO IN	9	GND
5	HDMI Interface	10	Power Switch

Available Model

IK-6288TH-MH/P/CA

Accessory

Optional

WML Wall Mount	PM Pole Mount	CM Corner Mount	CB130T Conduit Base	PC130T Pendant Base